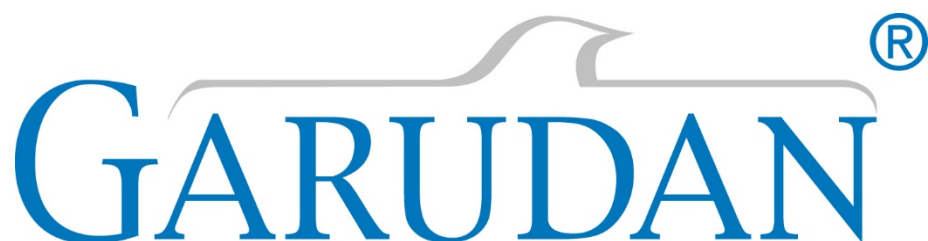


Katalog náhradních dílů  
Spare Parts List



**GP-110-147**

**GP-124-147**

ANITA B s.r.o.

Průmyslová 2453/7

680 01 Boskovice

Czech Republic

tel: +420 516 454 774

+420 516 453 496

fax: +420 516 452 751

e-mail: [info@anita.cz](mailto:info@anita.cz)

[www.garudan.cz](http://www.garudan.cz)

Všechna práva vyhrazena.

Vlastnictví Anita B s r.o. a chráněno autorským právem. Použití tohoto obsahu bez písemného souhlasu Anita B s r.o. zakázáno.

Copyright © Anita B s r.o. (2018)

All rights reserved.

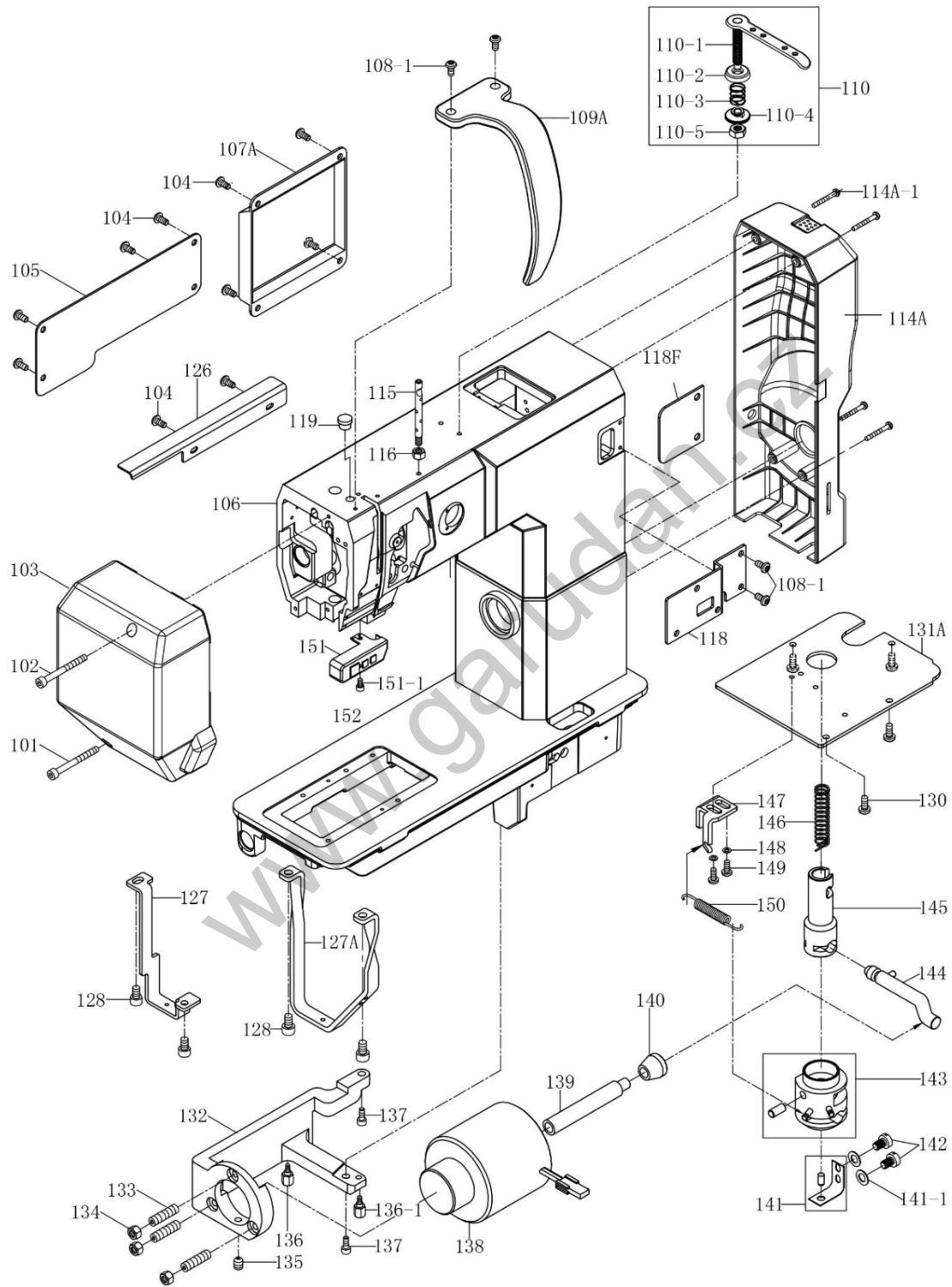
Property of Anita B s.r.o. and protected by copyright. The use of this content without written consent of Anita B s.r.o. is prohibited.

Copyright © Anita B s.r.o. (2018)

## Content/Obsah

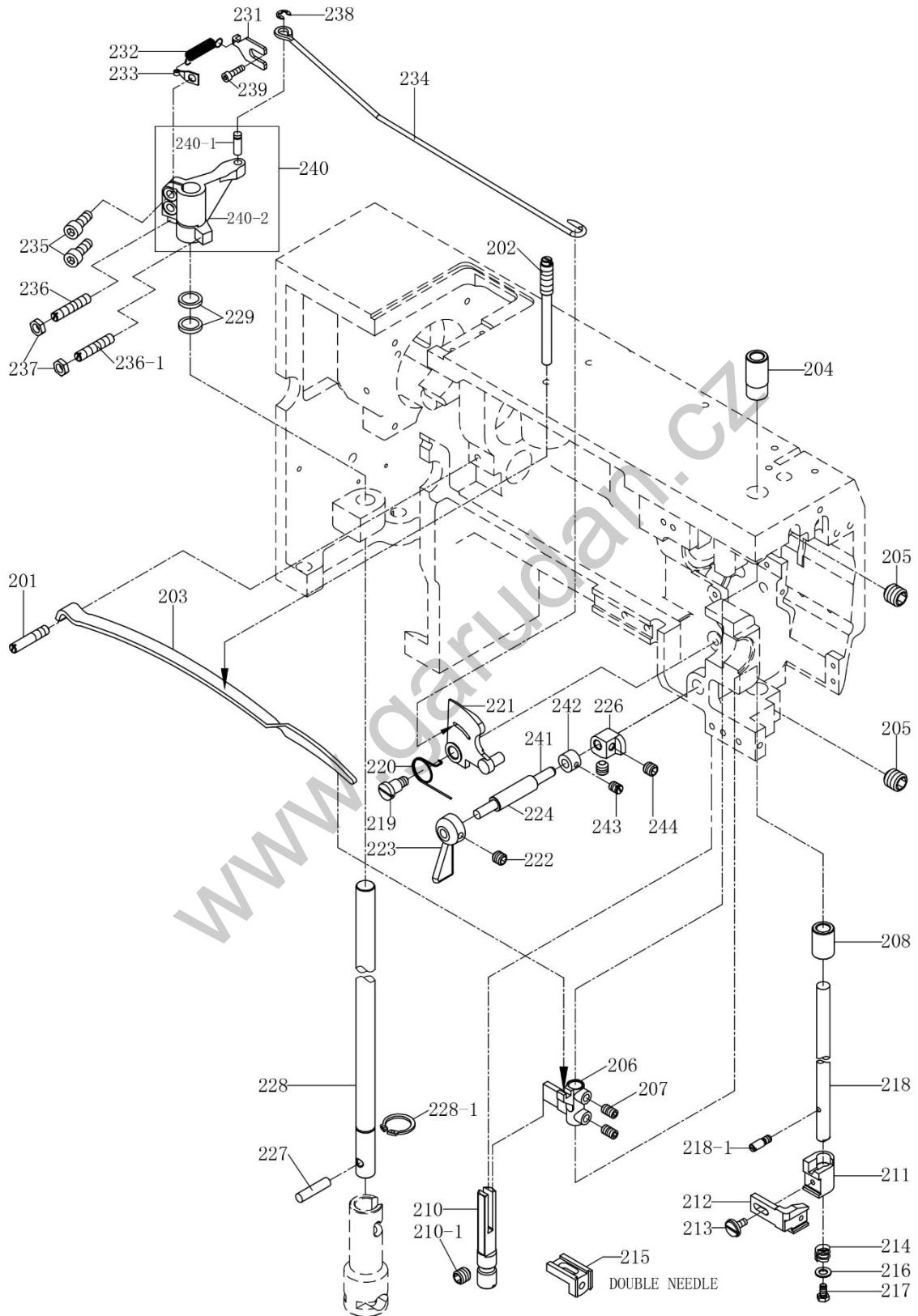
1. ARM BED AND ITS ACCESSORIES.....	4
2. PRESSER FOOT BAR MECHANISM .....	6
3. TAKE-UP LEVER NEEDLR BAR ROCKING MECHANISM (1/2).....	8
3. TAKE-UP LEVER NEEDLR BAR ROCKING MECHANISM (2/2).....	10
4. UPPER THREAD TENSION REGULATION MECHANISM .....	12
5. PRESSER FOOT BAR MECHANISM (1/2) .....	14
5. PRESSER FOOT BAR MECHANISM (2/2) .....	16
6. LOWER FEED & THREAD TRIMMING MECHANISM .....	18
7. ROLLER PRESSER FOOT & UPPER SIDE SHAFT MECHANISM.....	20
8. RIGHT SIDE BRACKET MECHANISM (1/2).....	22
8. RIGHT SIDE BRACKET MECHANISM (2/2).....	24
9.1 SINGLE NEEDLE CENTRAL BRACKET MECHANISM .....	26
9.2 DOUBLE NEEDLE LEFT SIDE BRACKET & CENTRAL MECHANISM .....	27
9.3 REVERSE STITCHING MECHANISM .....	28
10. ROLLER PRESSER FOOT & UPPER SIDE SHAFT MECHANISM (1/2).....	32
10. ROLLER PRESSER FOOT & UPPER SIDE SHAFT MECHANISM (2/2).....	34
11. REVERSE STITCHING MRCHANISM (1/2) .....	36
11. REVERSE STITCHING MECHANISM (2/2) .....	38
12. ACCESSORIES (1/2).....	40
12. ACCESSORIES (2/2).....	42
13. ELECTRICITY ELEMENTS FIG .....	44
14. ELECTRICITY ELEMENTS FIG .....	45

1. ARM BED AND ITS ACCESSORIES



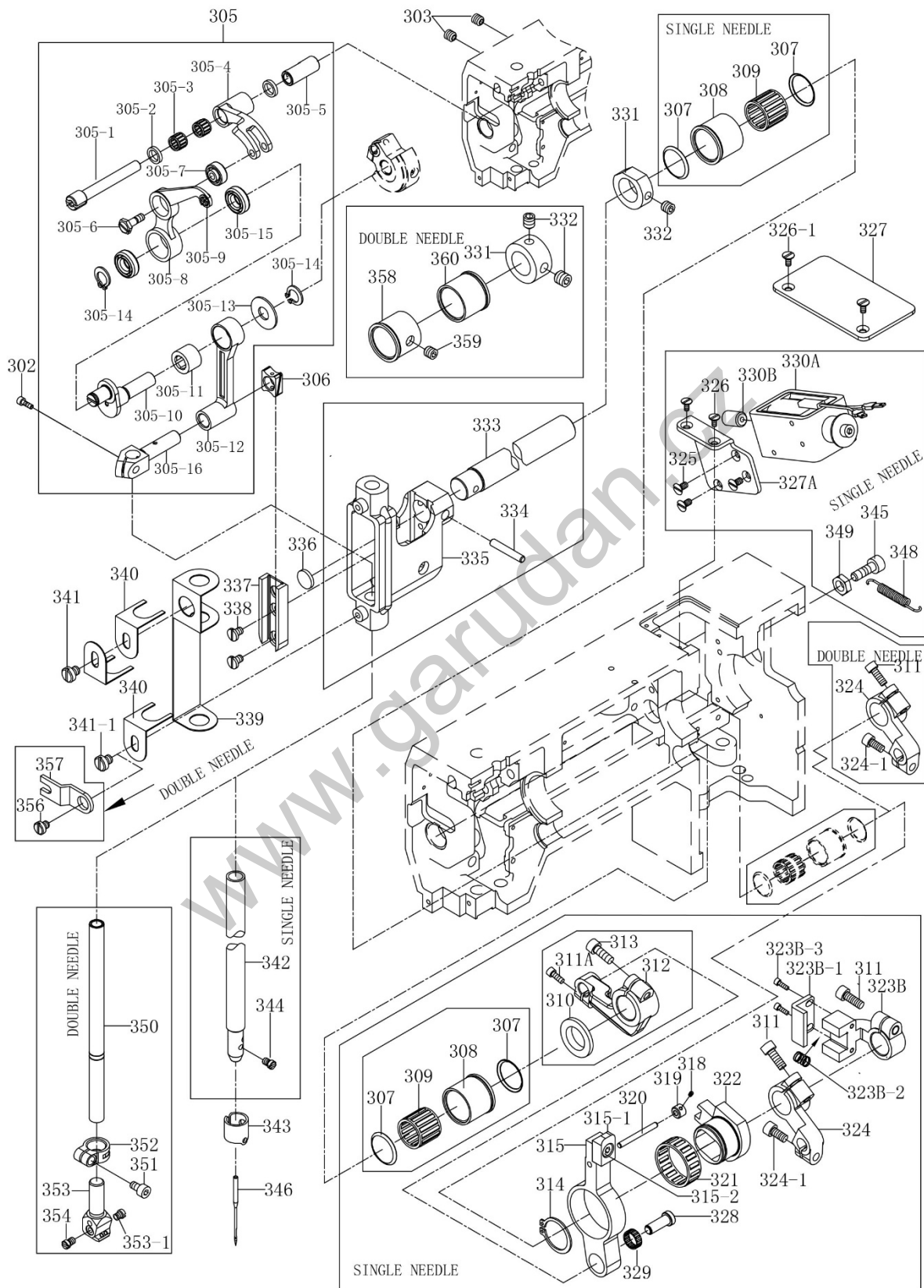
<b>1. ARM BED AND ITS ACCESSORIES</b>			
<b>NO.</b>	<b>PART NO</b>	<b>GP-110-147</b>	<b>GP-124-147</b>
101	GB/T70-85	1	1
102	GB/T70-85	1	1
103	591-103	1	1
104	GB/T2672-86	8	8
105	9922-01-105	1	1
106	9922BFT-01-106	1	1
107A	591-115-1	1	1
108-1	GB/T2672-86	4	4
109A	591-122A	1	1
110	591-403	1	1
111	GB/T70-85	3	3
112	9922-01-112	1	1
113	GB/T70-85	6	6
114	9922-01-114	1	1
114A	i60/MD-4	1	1
115	9910-08	1	1
116	GB/T6170-2000	7	7
117	9922-01-117	1	1
118	9922-01-118	1	1
118B	9922-01-118B	1	1
118F	9922-01-118F	1	1
119	591-133	1	1
127	591-126-1	0	1
127A	591-126	1	0
128	9910-020	2	2
130	GB/T65-2000	5	5
131A	591-123	1	1
132	591-1020	1	1
133	GB/T77-2000	3	3
134	GB/T6170-2000	3	3
135	GB/T80-2000	1	1
136	591-1004	1	1
136-1	591-1004-1	1	1
137	GB/T70-85	2	2
138	591-1006	1	1
139	591-1007	1	1
140	591-1008	1	1
141	591-1009	1	1
141-1	GB/T95-85	2	2
142	9910-88	2	2
143	591-1012	1	1
144	591-1013	1	1
145	591-1014	1	1
146	591-1015	1	1
147	591-1016	1	1
148	GB/T95-85	5	5
149	GB/T65-2000	2	2
150	591-1019	1	1
151	591-136	1	1
151-1	GB/T2672-86	1	1
152	591-134	1	1
152-1	591-135	1	1
154	GB/T70.3-2000	3	3

2. PRESSER FOOT BAR MECHANISM



2. PRESSER FOOT BAR MECHANISM			
NO.	PART NO	GP-110-147	GP-124-147
201	9910-119	1	1
202	9910-118	1	1
203	9910-117	1	1
204	9910-124	1	1
205	GB/T80-2000	2	2
206	9910-126	1	1
207	9910-094	2	2
208	9910-127	1	1
210	9910-133	1	1
210-1	GB/T80-2000	1	1
211	9922BFT-211	1	1
212	9922BFT-02-212	1	1
213	9910-51	1	1
214	9910-130	1	1
215	9910-131	0	1
216	GB/T95-85	1	1
217	GB/T70-85	1	1
218	9922BFT-02-218	1	1
218-1	9922BFT-218-1	1	1
219	9910-121	1	1
220	9910-122	1	1
221	9910-123	1	1
222	GB/T80-2000	1	1
223	9910-114	1	1
224	9922-02-224	1	1
226	591-226	1	1
227	9910-150	1	1
228	9910-148	1	1
228-1	GB/T894.1-86	1	1
229	9910-147-1	2	2
231	9910-143	1	1
232	801-76	1	1
233	9910-145	1	1
234	9910-120	1	1
235	GB/T70-85	2	2
236	GB/T79-2000	1	1
236-1	GB/T79-2000	1	1
237	GB/T6170-2000	2	2
238	GB/896-86	1	1
239	GB/T70-85	1	1
240-1	9910-146	1	1
240-2	9910-147	1	1
241	591-224	1	1
242	591-239	1	1
243	GB/T80-2000	2	2
244	GB/T80-2000	2	2

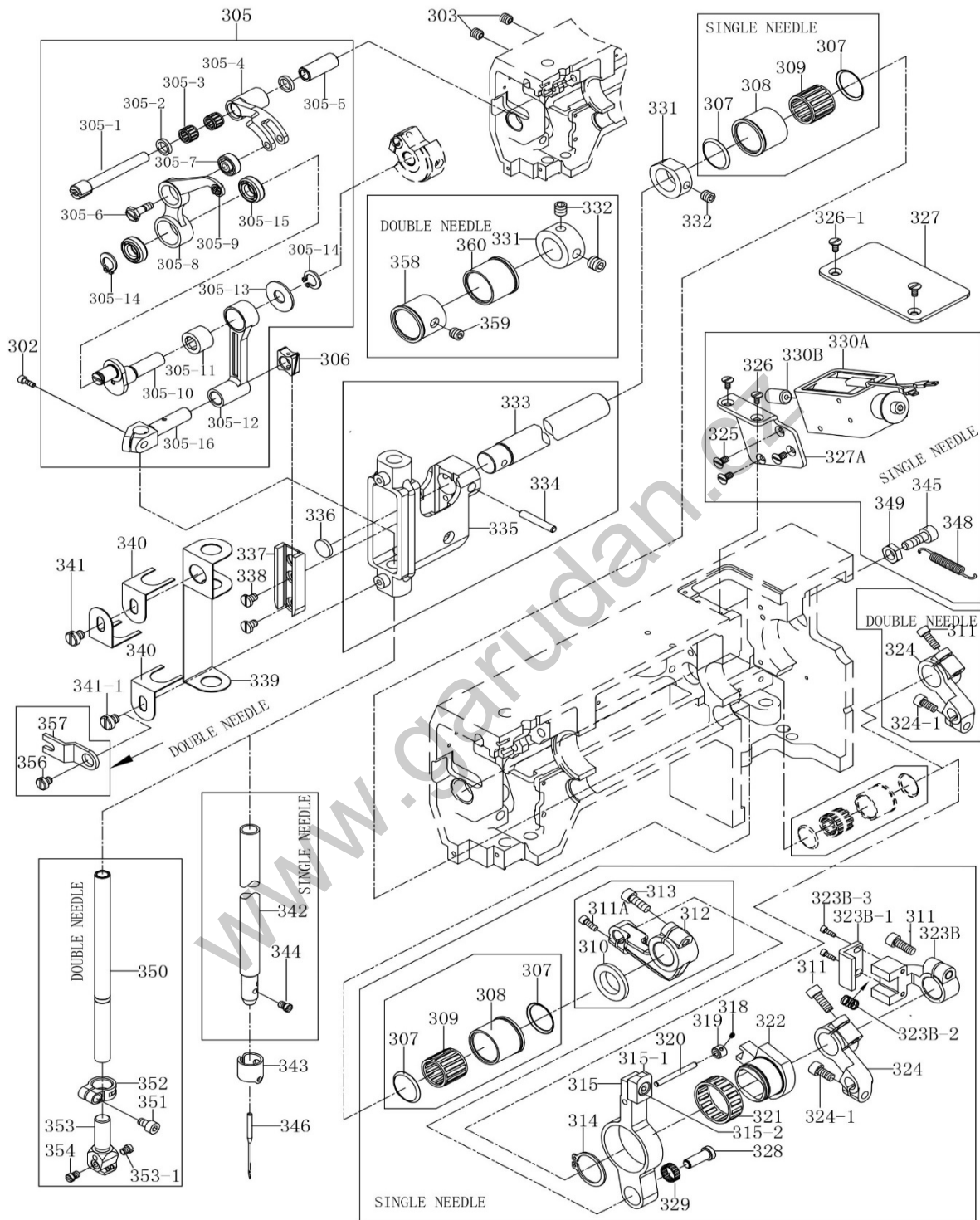
3. TAKE-UP LEVER NEEDLR BAR ROCKING MECHANISM (1/2)





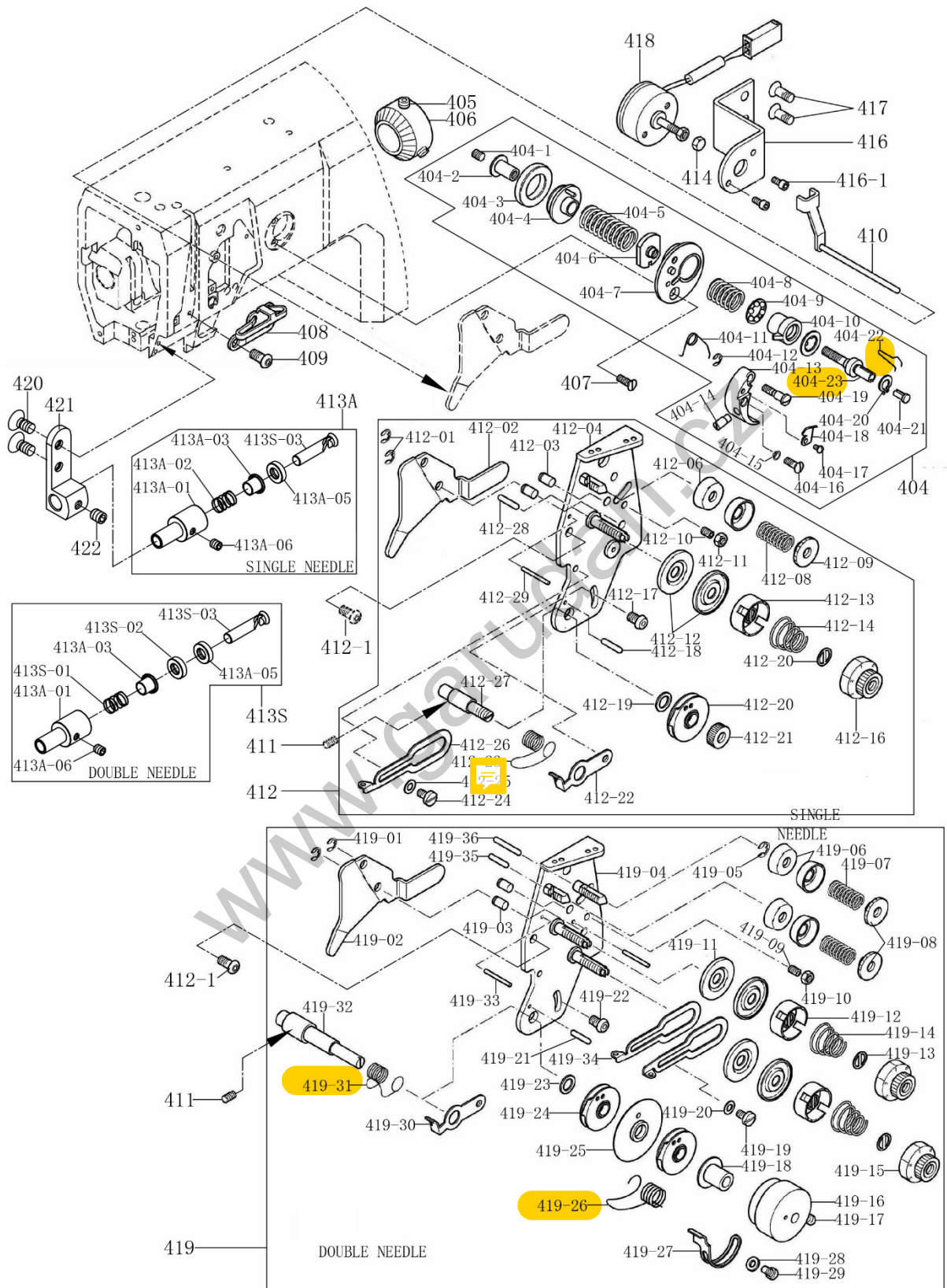
3. TAKE-UP LEVER NEEDLR BAR ROCKING MECHANISM (1/2)			
NO.	PART NO.	GP-110-147	GP-124-147
302	GB/T70-85	1	1
303	GB/T80-2000	2	2
305	591-305	1	1
305-01		1	1
305-02		2	2
305-03		2	2
305-04		1	1
305-05		1	1
305-06		1	1
305-07		1	1
305-08/09		1	1
305-10		1	1
305-11		1	1
305-12		1	1
305-13		1	1
305-14		2	2
305-15		2	2
305-16		1	1
306	9910-086	1	1
307	9910-107	14	10
308	9910-109	7	5
309	9910-108	7	5
310		1	0
311	GB/T70-85	2	1
311A	GB/T70-85	1	0
312	591-312	1	1
313	GB/T70-85	1	1
314	GB/T894.1-86	1	0
315	591-315	1	0
315-1	9922BFT-03-315B	1	0
315-2	GB/T70-85	1	1
318	GB/T80-2000	2	0
319	591-319	1	0
320	GB/T879.1-2000	1	1
321	9910-159	1	0
322	591-322	1	0
323B	591-323B	1	0
323B-1	591-323B-1	1	0
323B-2	591-323B-2	1	0
323B-3	GB/T 70.1-2000	2	2
324	9922BFT-03-324	1	1
324-1	GB/T 70.1-2000	1	1

3. TAKE-UP LEVER NEEDLR BAR ROCKING MECHANISM (2/2)



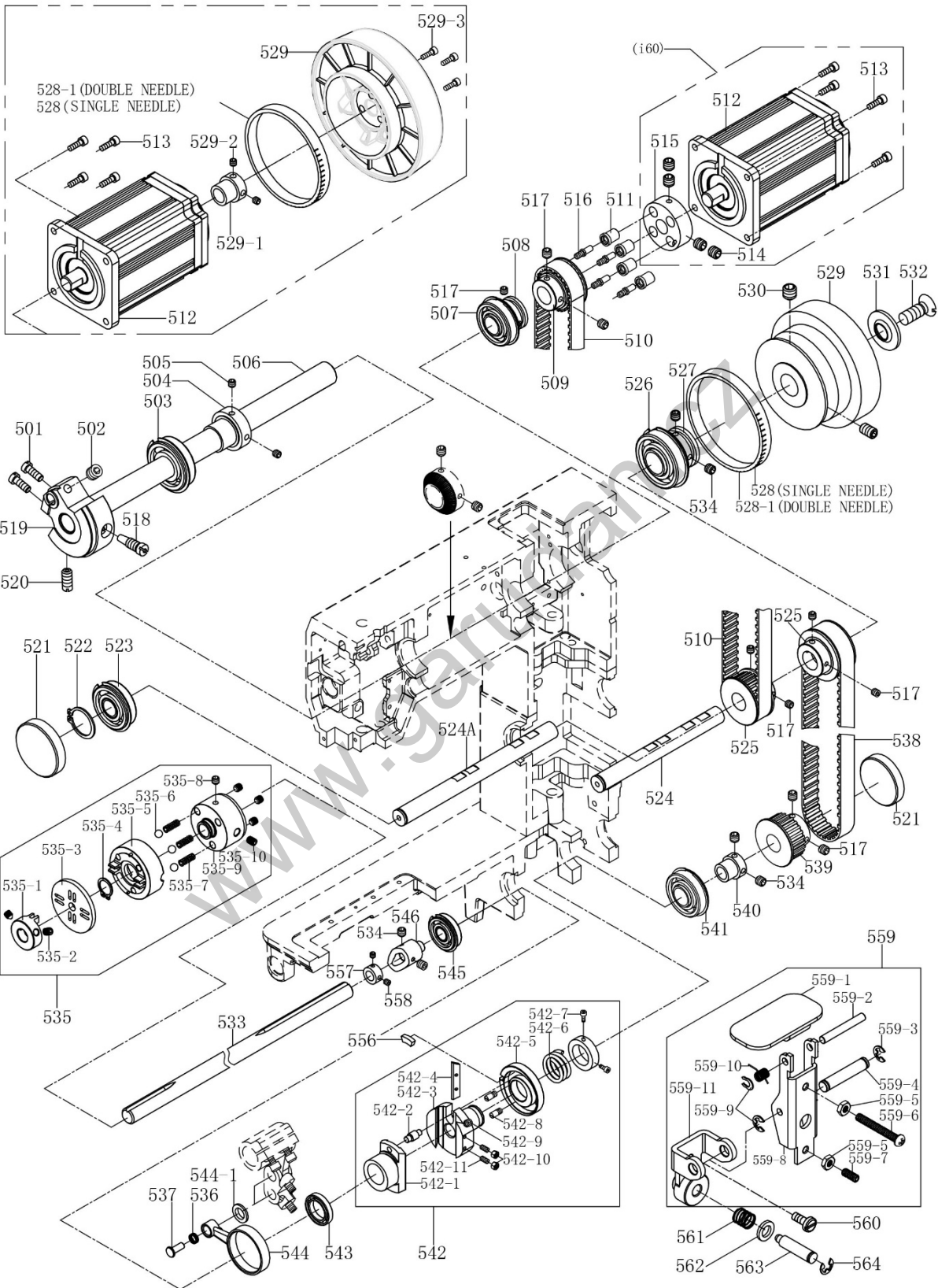
3. TAKE-UP LEVER NEEDLR BAR ROCKING MECHANISM (2/2)			
NO.	PART NO.	GP-110-147	GP-124-147
325	GB/T70.3-2000	3	0
326	GB/T70.3-2000	4	0
326-1	GB/T60-2000	2	2
327	9922BFT-03-327	1	0
327A	9922BFT-03-327A	1	0
328	9910-136	1	0
329	9910-137	1	0
330A	9922BFT-03-330A	1	0
330B	591-641	1	0
331	9910-106	1	2
332	9910-094	1	3
333	9910-105	1	1
334	9910-102	1	1
335	9910-101	1	1
336	9910-087B	1	1
337	9910-087	1	1
338	9910-088	2	2
339	9910-101A	1	1
340	9910-099	3	3
341	9910-088	1	1
341-1	9910-098	1	1
342	9910-77	1	0
343	9910-079	1	0
344	9910-078	1	0
345	GB/T70-85	1	0
346		1	2
348	591-348	1	0
349	GB/T6170-2000	1	0
350	9910-080	0	1
351	9910-081	0	1
352	9910-082	0	1
353	9910-83/84	0	1
353-1	9910-84	0	1
354	9910-85	0	2
356	9910-95	0	1
357	9910-97	0	1
358	9910-91	0	1
359	GB/T80-2000	0	1
360	9910-92	0	1

4. UPPER THREAD TENSION REGULATION MECHANISM



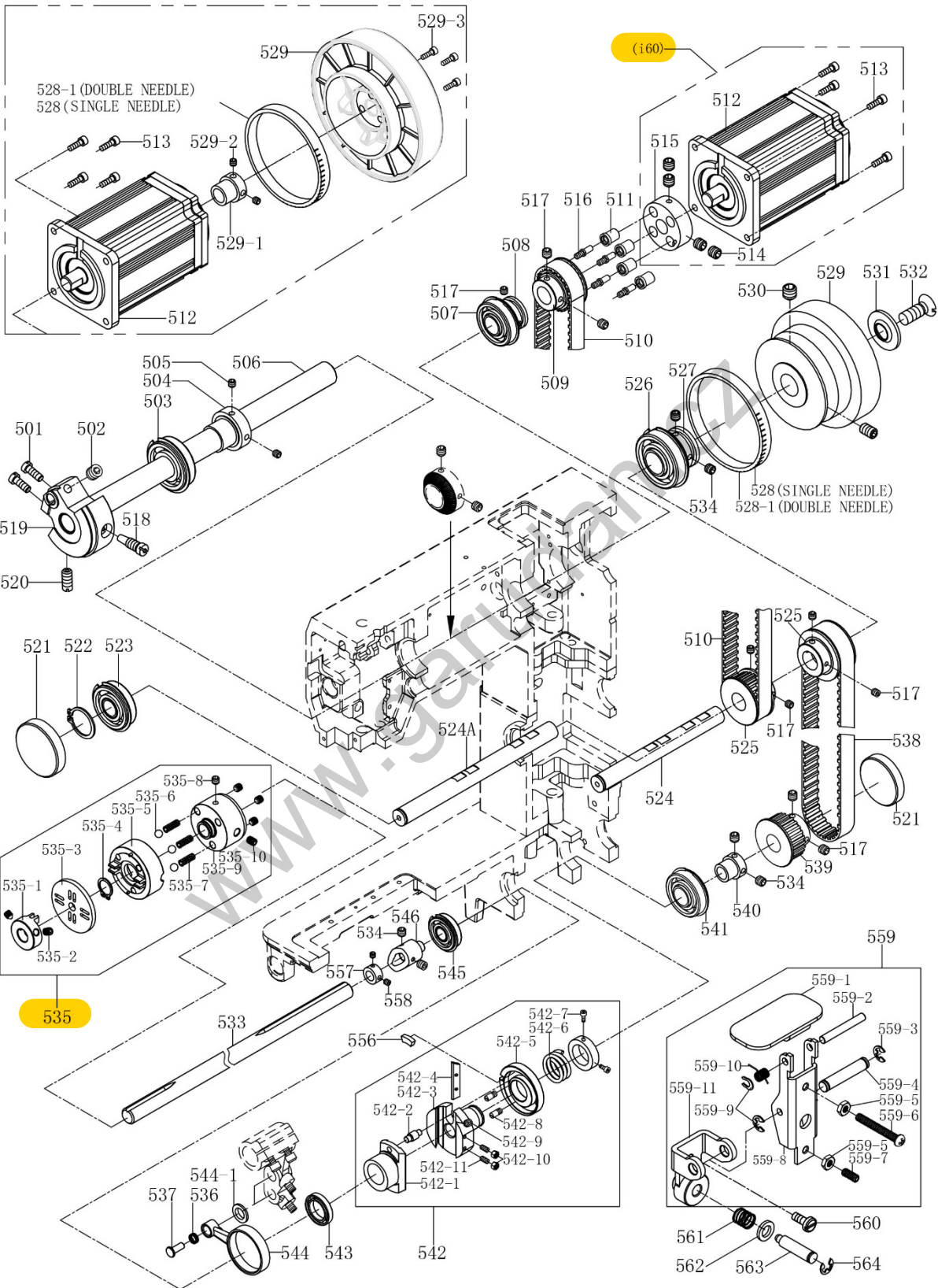
<b>4. UPPER THREAD TENSION REGULATION MECHANISM</b>			
<b>NO.</b>	<b>PART NO.</b>	<b>GP-110-147</b>	<b>GP-124-147</b>
404	591-404	1	1
405	GB/T80-2000	2	2
406	591-406B	1	1
407	GB/T60-2000	1	1
408	9910-013	1	1
409	GB/T2672-86	1	1
410	591-410	1	1
411	GB/T80-2000	1	1
412	591-412	1	0
412-1	GB/T2672-86	1	1
413A	591-413A-00	1	0
413S	591-413S-00	0	1
414	591-414	1	1
415	9910-51	1	1
416	591-416	1	1
416-1	GB/T70-85	2	2
417	GB/T70.3-2000	2	2
418	591-418	1	1
419	591-419	0	1
420	GB/T70.3-2000	2	2
421	591-421	1	1
422	GB/T 80-2000	1	1

5. PRESSER FOOT BAR MECHANISM (1/2)



<b>5. PRESSER FOOT BAR MECHANISM (1/2)</b>			
<b>NO.</b>	<b>PART NO.</b>	<b>GP-110-147</b>	<b>GP-124-147</b>
501	9910-171	2	2
502	9910-094	2	2
503	9910-175	1	1
504	9910-173	1	1
505	9910-094	2	2
506	9922-05-506	1	1
507	9910-179	1	1
508	9910-180	1	1
509	9922-05-509	1	1
510	9910-177	1	1
511	9922-05-511	4	4
512	9922-05-512	1	1
512A	9922-05-512A	1	1
512A-1	9922-05-512-1	1	1
513	GB/T70-85	4	4
514	9910-094	2	2
515	9922-05-515	1	1
516	9922-05-516	4	4
517	9910-094	2	2
518	9910-170	1	1
519	9910-172	1	1
520	9910-172-1	1	1
521	9910-186	2	2
522	9910-187	1	1
523	9910-188	1	1
524A	9922-05-524A	1	1
524	9922-1BFT-524B	1	1
525	9910-178-1	2	2
526	9910-179	1	1
527	9910-180	1	1

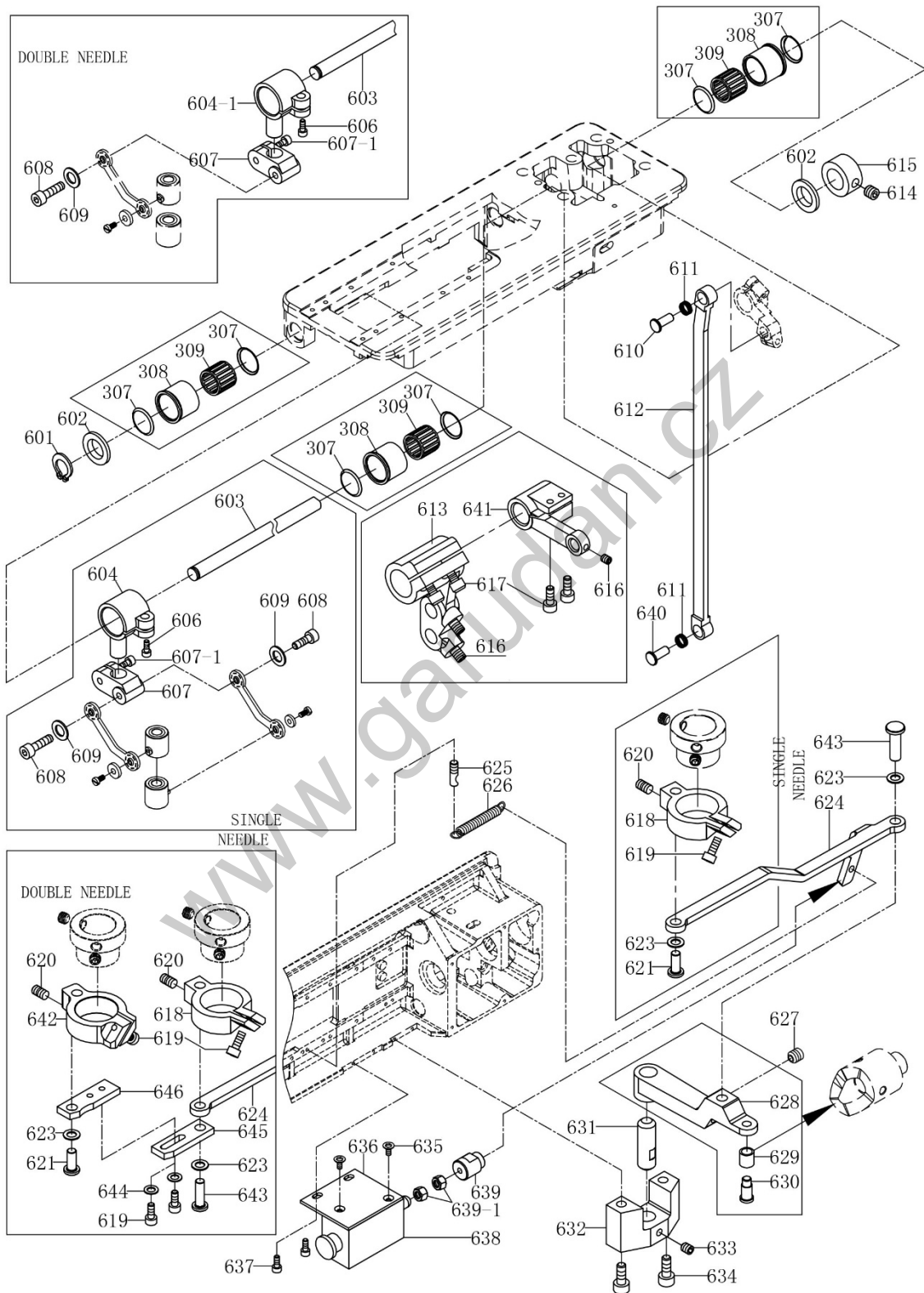
5. PRESSER FOOT BAR MECHANISM (2/2)





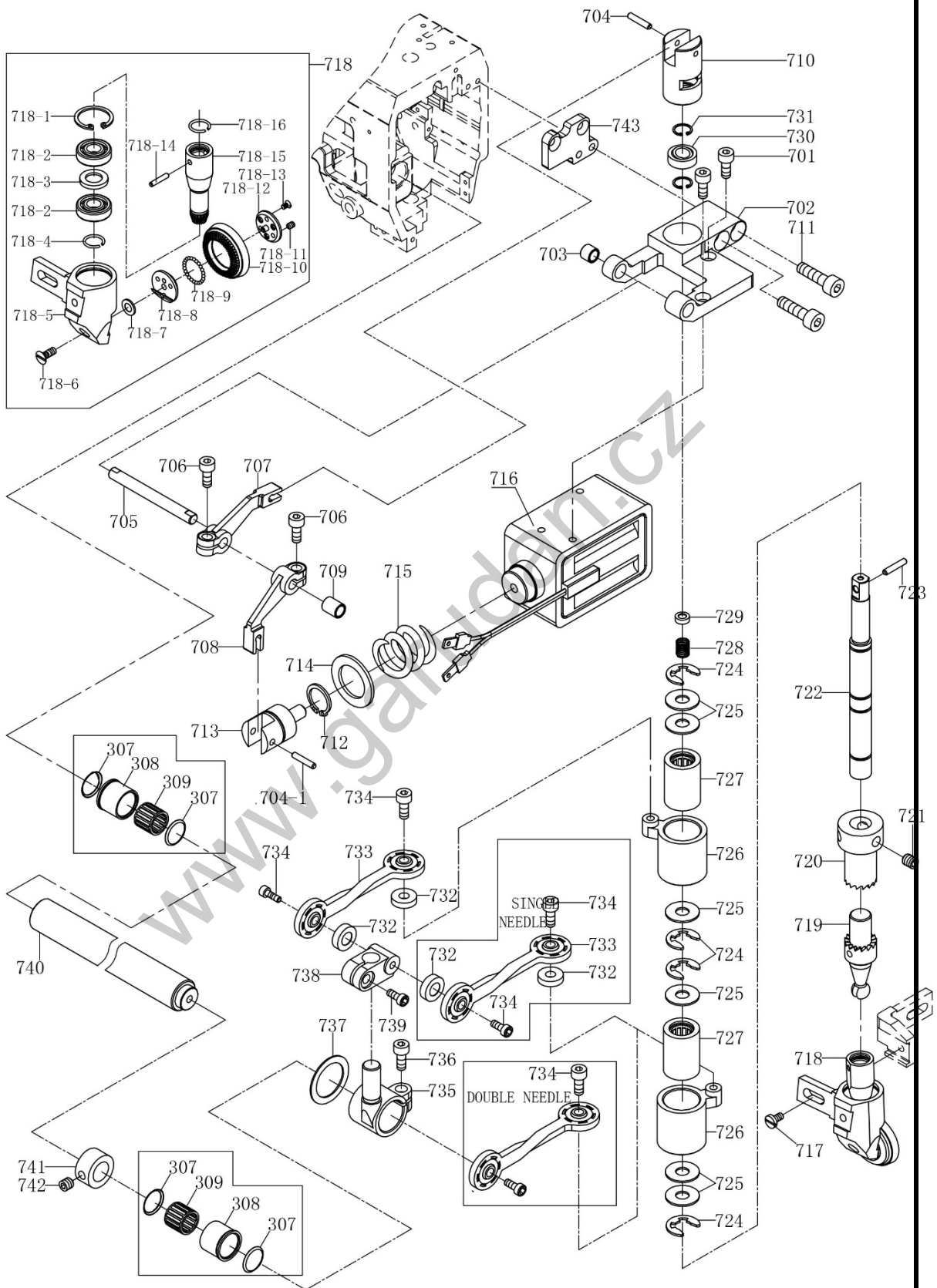
5. PRESSER FOOT BAR MECHANISM (2/2)			
NO.	PART NO.	GP-110-147	GP-124-147
528	9910-184-1	1	0
528-1	9910-184-2	0	1
529	9922BFT-529B	1	1
529-1	9168-529-1B	1	1
529-2	GB/T80-2000	2	2
529-3	GB/T2672-86	3	3
530	9910-184S	2	2
531	9910-182	1	1
532	9910-183	1	1
533	9910-199	1	1
534	9910-094	10	10
535	591-526	1	1
536	9910-137	1	1
537	9910-160	1	1
538	9910-177-1	1	1
539	9910-192	1	1
540	9910-193	1	1
541	9910-188	1	1
542	591-539	1	1
543	9910-201	1	1
544	9910-202	1	1
544-1	9910-72		
545	9910-191	1	1
546	591-545	1	1
556	591-570	1	1
557	591-855	1	1
558	GB/T80-2000	2	2
559	591-501	1	1
560	GB/T67-2000	1	1
561	591-728	1	1
562	GB/T95-85	1	1
563	591-505	1	1
564	GB/T896-86	1	1

**6. LOWER FEED & THREAD TRIMMING MECHANISM**



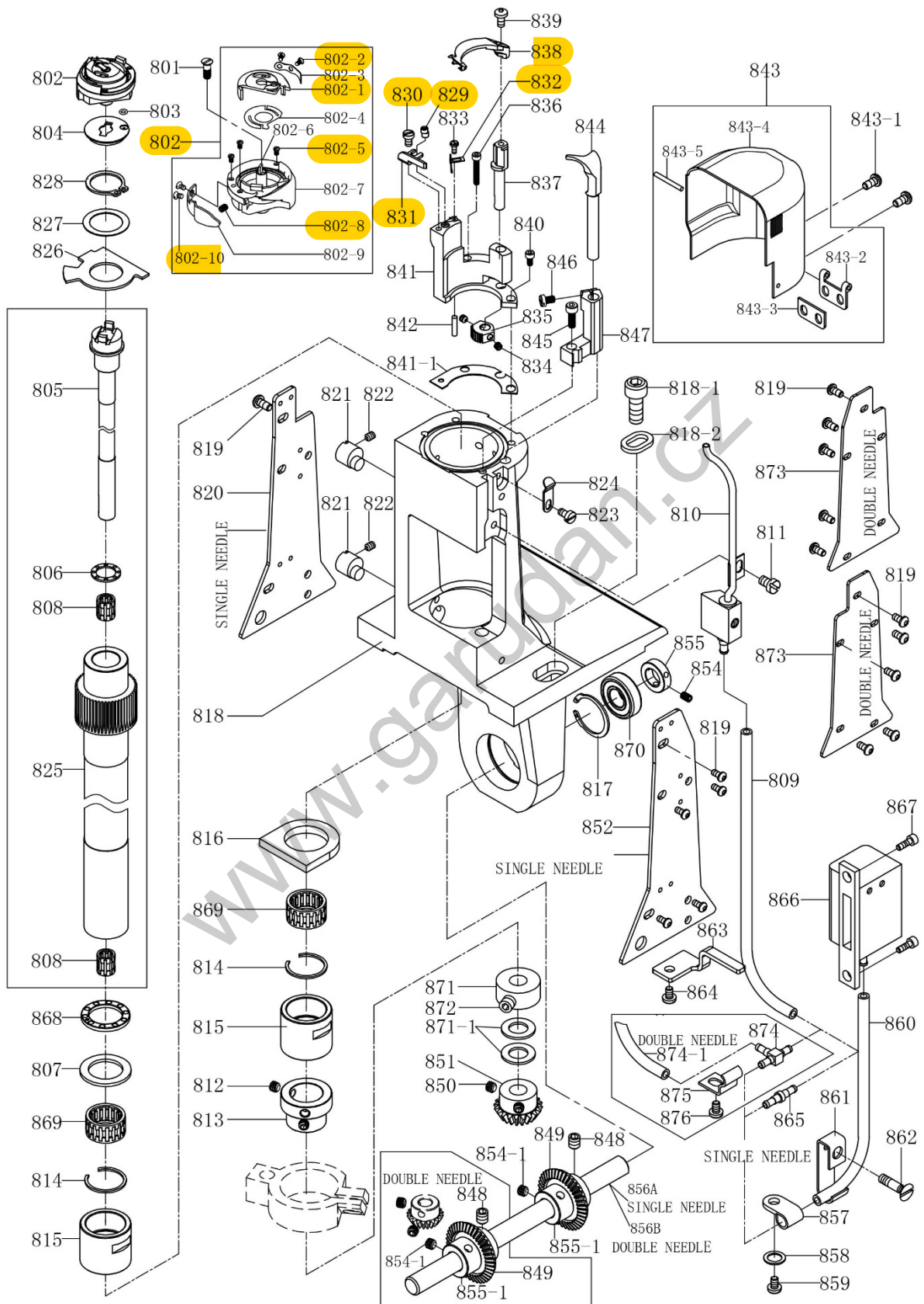
6. LOWER FEED & THREAD TRIMMING MECHANISM			
NO.	PART NO	GP-110-147	GP-124-147
601	GB/894.1-86	1	1
602	9910-168	2	2
603	591-603	1	1
604	9910-155	1	0
604-1	9910-169	0	1
606	GB/T70-85	1	1
607	9910-152	1	1
607-1	GB/T70-85	1	1
608	GB/T70-85	2	1
609	9910-42	2	1
610	9910-160	1	1
611	9910-137	2	2
612	9910-138	1	1
613	9922BFT-06-613	0	1
614	9910-094	2	2
615	9910-093	1	1
616	GB/T80-2000	0	3
617	GB/T70-85	0	4
618	591-620	1	1
619	GB/T70-85	1	4
620	GB/T80-2000	1	2
621	591-623	2	2
622	GB/T896-86	2	3
623	GB/T95-85	1	2
624	591-626	1	1
625	591-627	1	1
626	591-628	1	1
627	GB/T80-2000	1	1
628	591-630	1	1
629	591-631	1	1
630	591-632	1	1
631	591-633	1	1
632	591-634	1	1
633	GB/T80-2000	1	1
634	GB/T70-85	2	2
635	GB/T70.3-2000	2	2
636	591-638	1	1
637	GB/T70-85	2	2
638	591-640	1	1
639	591-641	1	1
639-1	GB/T6172-2000	2	2
640	9910-160	2	2
641	9910-165	0	1
642	591-645	0	1
643	591-623-1	0	1
644	GB/T95-85	0	2
645	591-643	0	1
646	591-642	0	1

**7. ROLLER PRESSER FOOT & UPPER SIDE SHAFT MECHANISM**



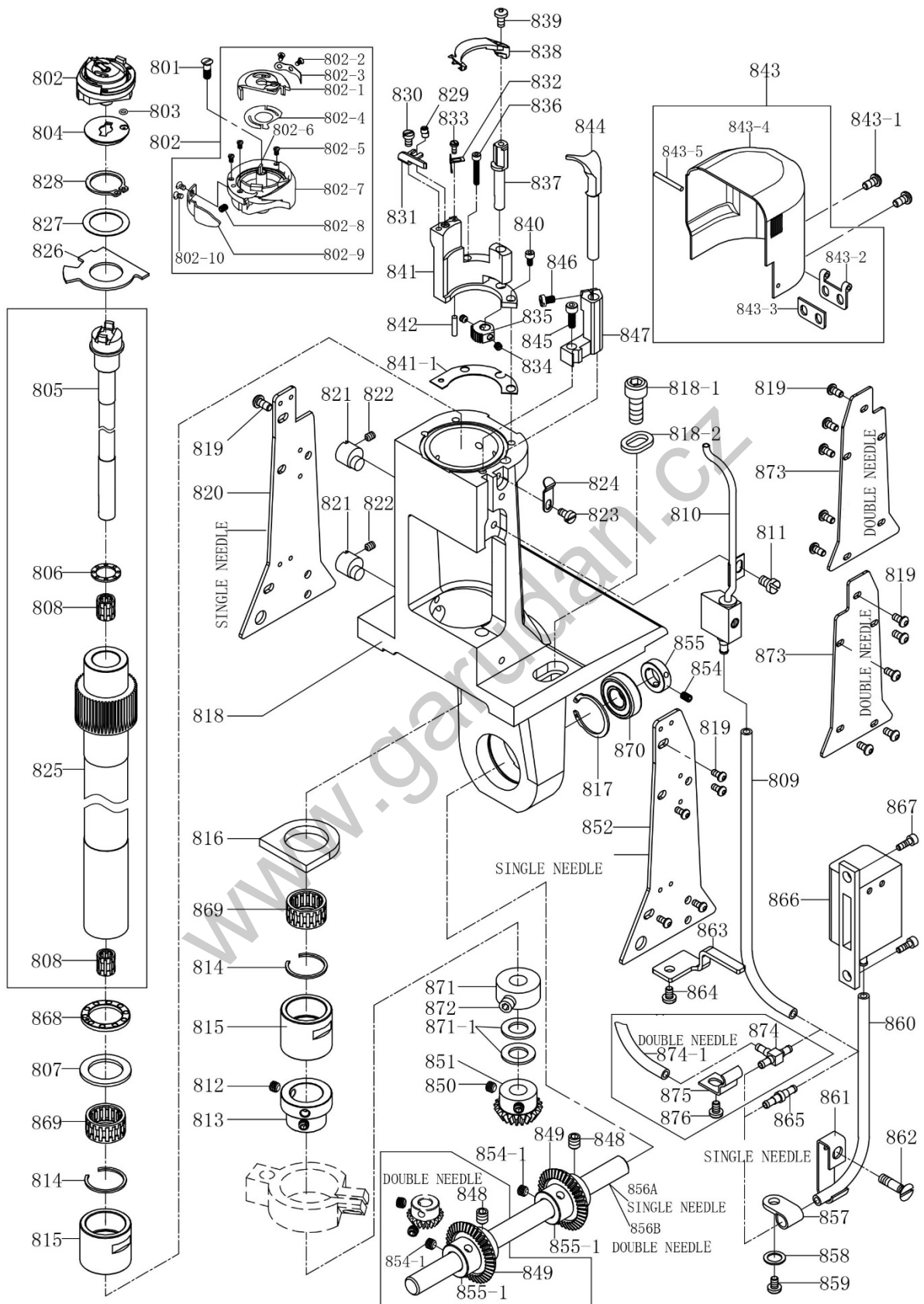
7. ROLLER PRESSER FOOT & UPPER SIDE SHAFT MECHANISM			
NO.	PART NO	GP-110-147	GP-124-147
701	GB/T70-85	2	1
702	591-702	1	1
703	591-703	1	1
704	GB/T119-2000	1	1
704-1	GB/T119-2000	1	1
705	591-705	1	1
706	GB/T70-85	2	2
707	591-707	1	1
708	591-708	1	1
709	591-709	1	1
710	591-710	1	1
711	GB/T70-85	2	2
712	GB/T894.1-86	1	1
713	591-713	1	1
714	591-714	1	1
715	591-715	1	1
716	591-330	1	1
717	9910-051	2	2
718	591-718	1	1
719	591-719	1	1
720	591-720	1	1
721	GB/T80-2000	2	2
722	591-722	1	1
723	GB/T879.1-2000	1	1
724	9910-037	4	4
725	9910-038	6	6
726	9910-043	2	2
727	9910-039	2	2
728	591-728	1	1
729	591-729	1	1
730	9910-035	1	1
731	9910-036	2	2
732	9910-042	8	4
733	9910-041	2	2
734	GB/T70-85	2	1
735	9910-155	1	1
736	GB/T70-85	1	1
737	9910-168	1	1
738	9910-152	1	1
739	GB/T70-85	1	1
740	591-740	1	1
741	9910-106	1	1
743	9922BFT-743	1	1

8. RIGHT SIDE BRACKET MECHANISM (1/2)



8. RIGHT SIDE BRACKET MECHANISM (1/2)			
NO.	PART NO	GP-110-147	GP-124-147
801	9910-243	1	2
802	591-802	1	2
803	GB/T3452.1-92	1	2
804	591-804	1	2
805	591-805	1	2
806	9910-251	1	2
807	591-807	1	2
808	9910-252	2	4
809	591-809	1	1
810	591-810	1	2
811	GB/T67-2000	1	2
812	GB/T80-2000	2	4
813	591-813	1	2
814	591-814	2	4
815	591-815	2	4
816	591-816	1	2
817	GB/T893.1-86	2	2
818	591-818	1	1
818-1	GB/T70-85	2	2
818-2	9910-213	2	2
819	GB/T2672-86	10	10
820	591-820	1	0
821	9910-261-1	2	4
822	GB/T80-2000	2	4
823	591-823	1	2
824	591-824	1	2
825	591-825	1	1
826	591-826	1	2
827	591-827	1	1
828	GB/T894.1-86	1	1
829	591-829	1	2
830	591-830	1	2
831	591-831	1	2
832	591-832	1	2
833	591-833	1	2
834	GB/T80-2000	2	4
835	591-835	1	2
836	GB/T70-85	1	2
837	591-837	1	2
838	591-838	1	2
839	GB/T2672-86	1	2
840	GB/T70-85	1	2
841	591-841	1	2

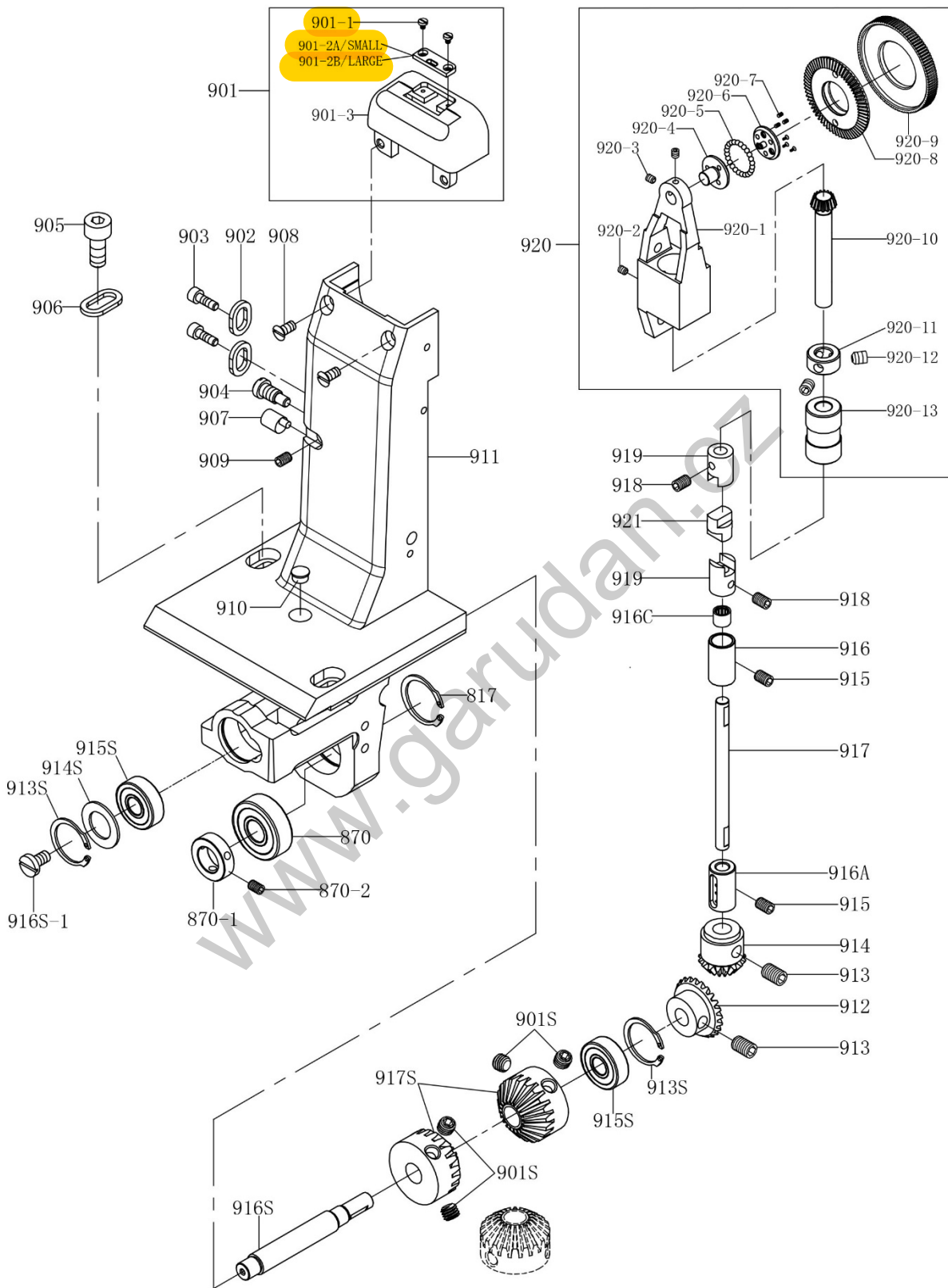
8. RIGHT SIDE BRACKET MECHANISM (2/2)





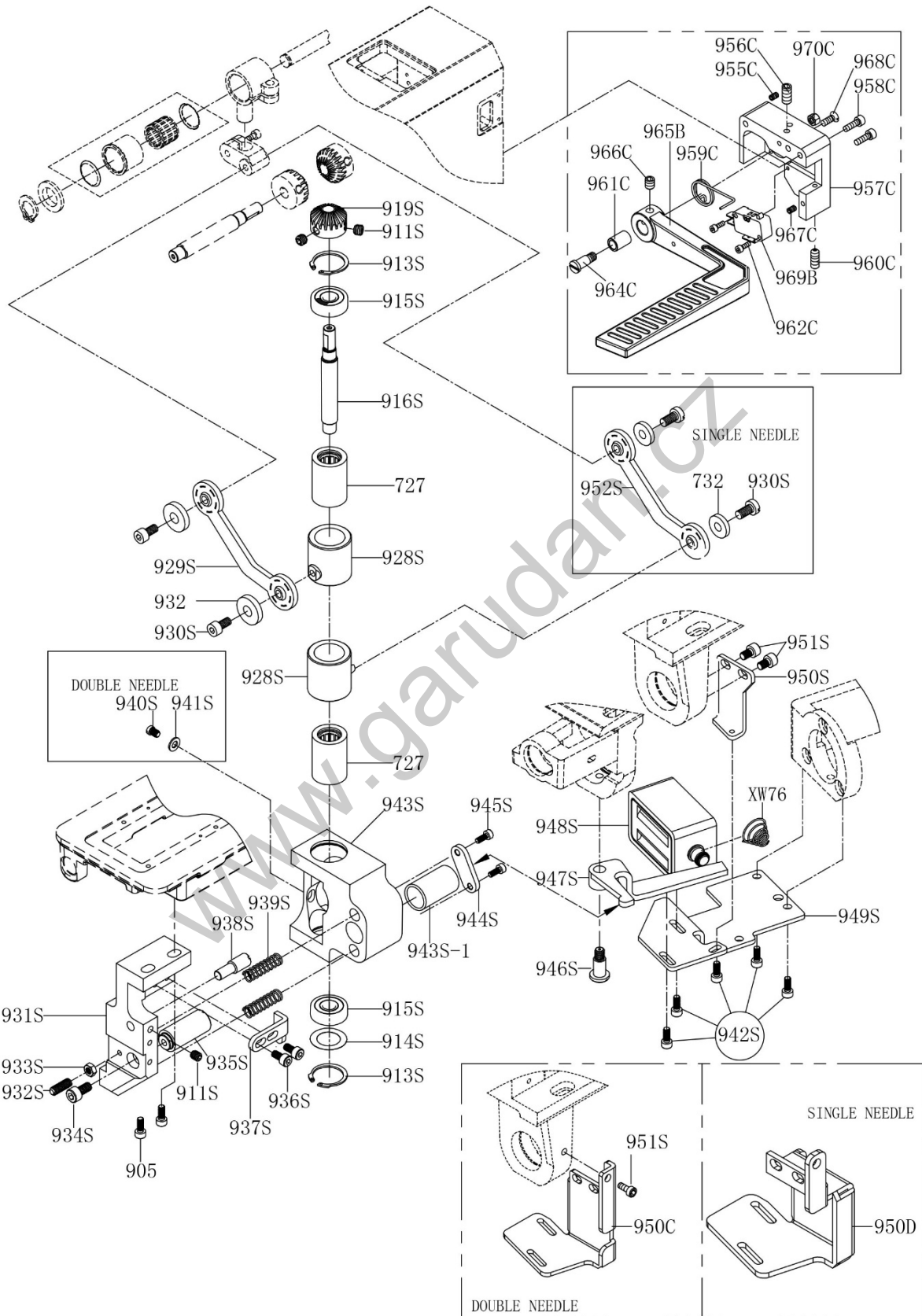
8. RIGHT SIDE BRACKET MECHANISM (2/2)			
NO.	PART NO	GP-110-147	GP-124-147
841-1	9922BFT-841-1	2	4
842	GB/T119-2000	1	2
843	591-843A	1	2
843-1	GB/T2672-86	2	4
844	591-844	1	2
845	GB/T70-85	1	2
846	GB/T70-85	1	2
847	591-847	1	2
848	9910-094	2	4
849	9910-258	1	2
850	9910-094	2	6
851	9910-257	1	2
852	591-852	1	0
854	GB/T80-2000	4	4
854-1	9910-094	2	4
855	591-855	2	2
855-1	9910-259	1	2
856A	9922BFT-856A	1	0
856B	9922BFT-856B	0	1
857	591-857	1	1
858	GB/T95-85	1	1
859	GB/T70-85	1	1
860	591-860	1	1
861	591-861	1	1
862	591-862	1	1
863	591-863	1	2
864	GB/T65-2000	1	2
865	591-865	1	0
866	591-866	1	1
867	GB/T70-85	2	2
868	591-868	1	2
869	591-869	2	4
870	GB/T276-94	2	2
870-1	9922BFT-870-1	1	1
870-2	GB/T80-2000	2	2
871	9910-250G	1	2
871-1	9910-72	2	2
872	9910-094	2	2
873	591-873	0	2
874	591-874	0	1
874-1	591-874-1	0	1
875	591-875	1	1
876	591-876	1	1

9.1 SINGLE NEEDLE CENTRAL BRACKET MECHANISM





9.3 REVERSE STITCHING MECHANISM



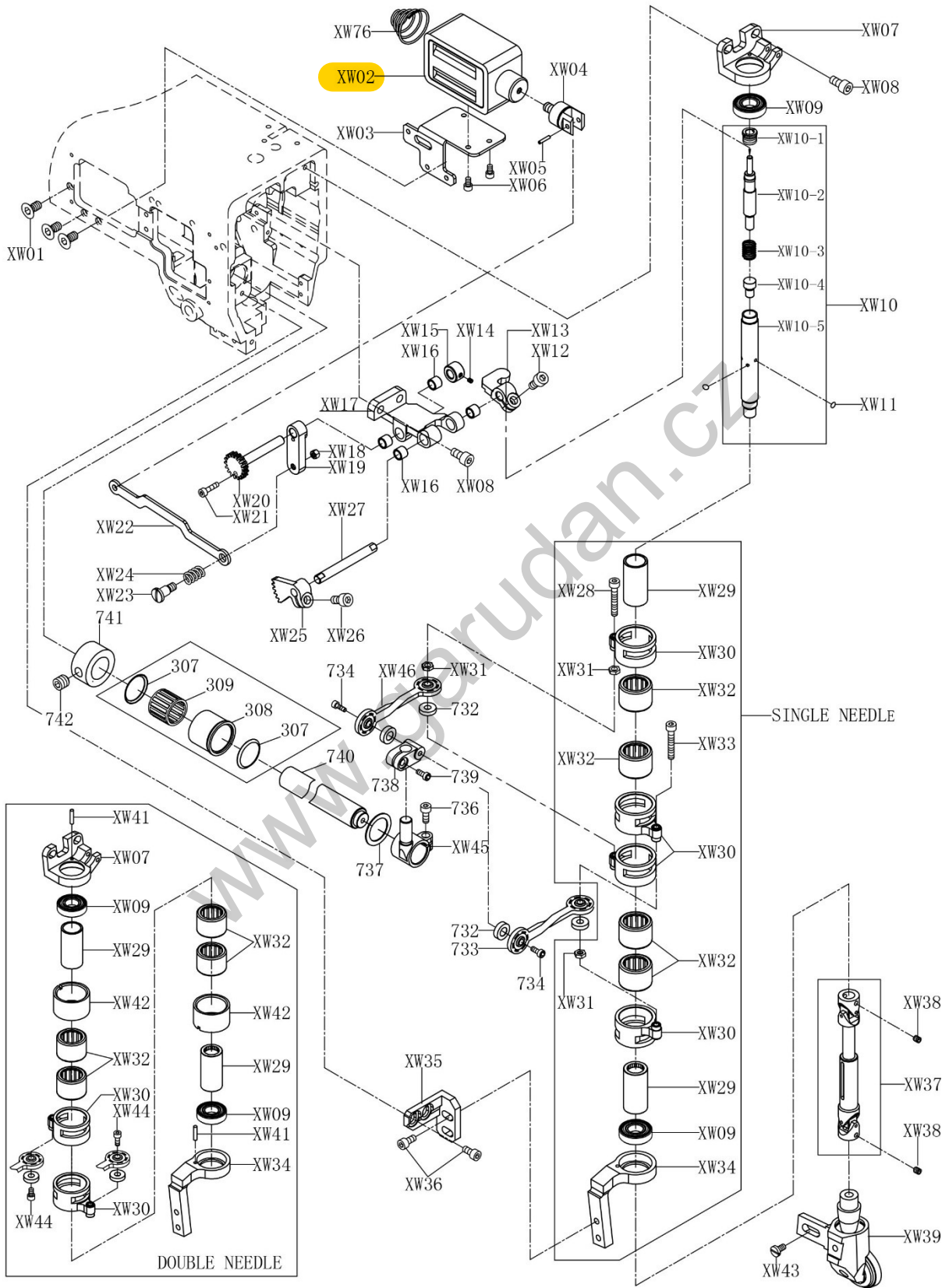
NO.	PART NO	GP-110-147	GP-124-147
901	591-901	1	0
902	9910-213	2	0
903	GB/T70-85	2	0
904	9910-209	1	0
905	GB/T70-85	2	2
906	9910-213	2	2
907	9910-210	1	0
908	GB/T60-2000	2	0
909	GB/T80-2000	1	0
910	9910-214	1	0
911	591-911	1	0
912	9910-240	1	0
913	9910-094	4	0
914	Y9910-239	1	0
915	GB/T80-2000	2	0
916	9922BFT-09-916	1	0
917	9910-236	1	0
918	GB/T80-2000	4	0
919	9910-234	2	0
920	591-920	1	0
921	9910-235	1	0
901S	GB/T80-2000	4	6
902S	591-902S	0	1
903S	591-903S	0	1
904S	591-904S	0	1
905S	591-905S	0	1
906S	591-906S	0	2
907S	591-907S	0	1
908S	591-908S	0	1
909S	9910-275	0	1
910S	9910-72	0	1
911S	GB/T80-2000	3	3
913S	9910-220	4	4
914S	591-914S	4	4
915S	9910-221	4	4
916A	9910-238	1	0
916C	168-0596	1	0
916S	9910-224	2	2
916S-1	9910-51	1	1
917S	591-917S	2	2
918S	9910-276	0	1
919S	591-919S	2	2
921S	591-921S	0	1

NO.	PART NO	GP-110-147	GP-124-147
922S	9910-280-1	0	2
923S	9910-81	0	4
924S	591-924S	0	1
925S	591-925S	0	1
926S	591-926S	0	1
927S	591-927S	0	1
928S	591-928S	2	2
929S	591-929S	1	1
930S	GB/T70-85	4	2
931S	591-931S	1	1
932S	GB/T77-2000	1	1
933S	GB/T6170-2000	1	1
934S	GB/T70-85	1	1
935S	591-935S	1	1
936S	GB/T70-85	2	2
937S	591-937S	1	1
938S	591-938S	1	1
939S	591-939S	2	2
940S	591-940S	0	1
941S	591-941S	0	1
942S	GB/T70-85	5	5
943S	591-943S	1	1
943S-1	591-943S-1	1	1
944S	591-944S	1	1
945S	GB/T70-85	2	2
946S	591-946S	1	1
947S	591-947S	1	1
948S	591-330	1	1
949S	591-949S	1	1
950S	591-950S	1	1
950C	9922BFT-950C	0	1
950D	9922BFT-950D	1	0
951S	GB/T70-85	2	2
952S	591-952S	1	0
955C	GB/T80-2000	1	1
956C	GB/T80-2000	1	1
957C	9922B-11-957C	1	1
958C	GB/T70-85	2	2
959C	9922BFT-11-959C	1	1
960C	GB/T80-2000	1	1
961C	9922BFT-11-961C	1	1
962C	GB/T70-85	2	2
963C	9922BFT-11-963C	1	1
964C	9922BFT-11-964C	1	1

<b>NO.</b>	<b>PART NO</b>	<b>GP-110-147</b>	<b>GP-124-147</b>
965B	9922BFT-11-965B	1	1
966C	GB/T80-2000	2	2
967C	GB/T80-2000	1	1
968C	9922BFT-11-968C	1	1
969B	591-562	1	1
970C	GB/T6170-2000	1	1

www.garudan.cz

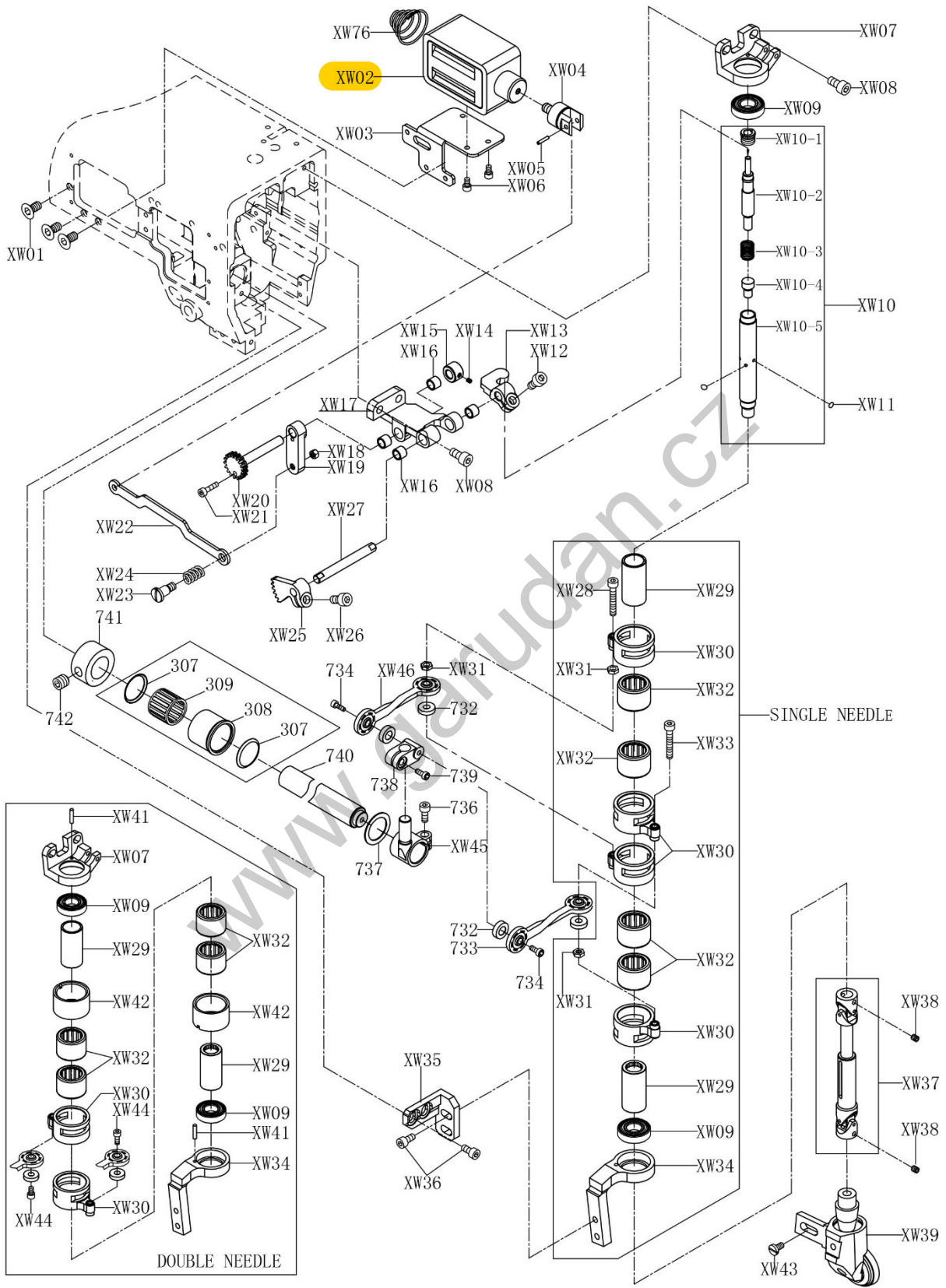
10. ROLLER PRESSER FOOT & UPPER SIDE SHAFT MECHANISM (1/2)





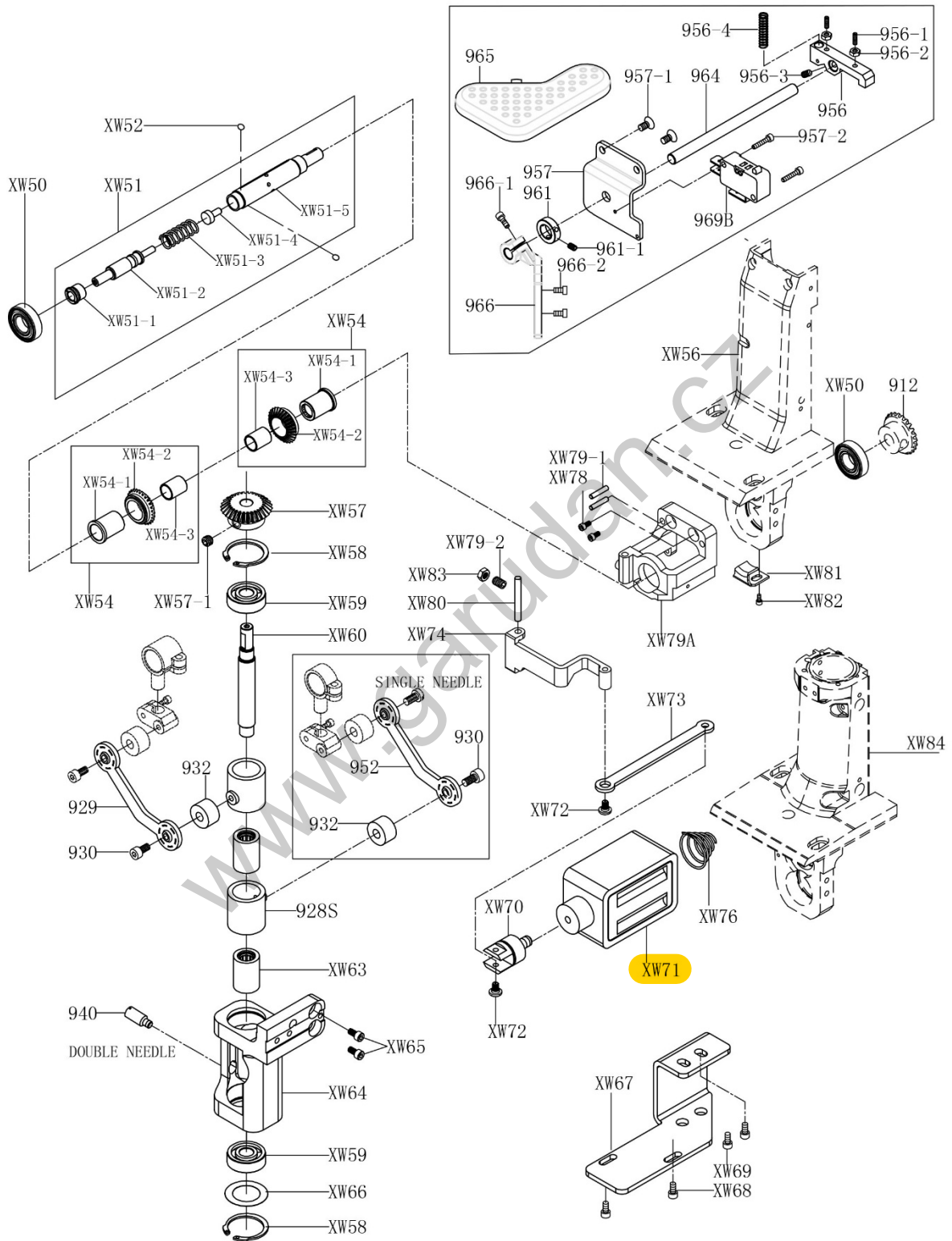
<b>10. ROLLER PRESSER FOOT &amp; UPPER SIDE SHAFT MECHANISM (1/2)</b>			
<b>NO.</b>	<b>PART NO</b>	<b>GP-110-147</b>	<b>GP-124-147</b>
308	9910-109	1	1
309	9910-108	1	1
732	9910-42	4	4
734	GB/T 70.1-2000	4	4
736	GB/T 70.1-2000	1	1
737	9910-168	1	1
738	9910-152	1	1
739	GB/T 70.1-2000	1	1
740	9618-740C	1	1
741	9910-106	1	1
742	9910-94	1	1
XW01	GB/T70.3-2000	3	3
XW02	591-330	1	1
XW03	9922BFT-XW03	1	1
XW04	591-713	1	1
XW05	GB/T 119(u6)	1	1
XW06	GB/T 70.1-2000	3	3
XW07	9922BFT-XW07	1	1
XW08	GB/T 70.1-2000	2	2
XW09	GB/T 276-94	2	2
XW10	9922BFT-XW10	1	1
XW11		6	6
XW12	GB/T 70.1-2000	1	1
XW13	9922BFT-XW13	1	1
XW14	GB/T 80-2000	1	1
XW15	591-239	1	1
XW16	591-703	4	4

10. ROLLER PRESSER FOOT & UPPER SIDE SHAFT MECHANISM (2/2)



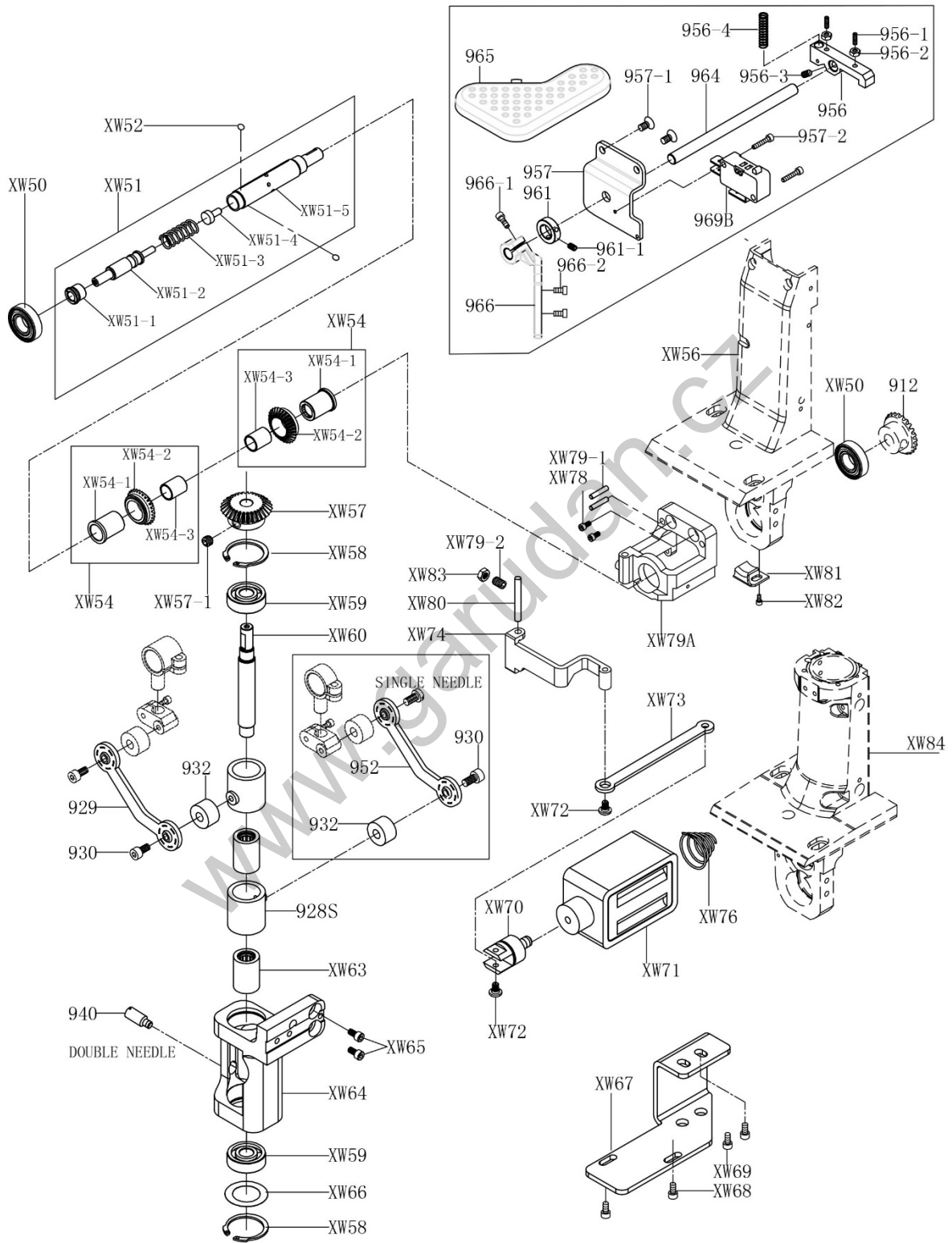
<b>10. ROLLER PRESSER FOOT &amp; UPPER SIDE SHAFT MECHANISM (2/2)</b>			
<b>NO.</b>	<b>PART NO</b>	<b>GP-110-147</b>	<b>GP-124-147</b>
XW17	9922BFT-XW17	1	1
XW18	GB/T 6172-2000	1	1
XW19	9922BFT-XW19	1	1
XW20	9922BFT-XW20	1	1
XW21	GB/T 70.1-2000	1	1
XW22	9922BFT-XW22	1	1
XW23	335-143-1	1	1
XW24	9922BFT-XW24	1	1
XW25	9922BFT-XW25	1	1
XW26	GB/T 70.1-2000	1	1
XW27	9922BFT-XW27	1	1
XW28	GB/T 70.1-2000	1	0
XW29	9922BFT-XW29	2	2
XW30	9922BFT-XW30	4	4
XW31	GB/T 6172-2000	3	0
XW32	9922BFT-XW32	4	4
XW33	GB/T 70.1-2000	1	0
XW34	9922BFT-XW34	1	1
XW35	9922BFT-XW35	1	1
XW36	GB/T 70.1-2000	2	2
XW37	9922BFT-XW37	1	1
XW38	GB/T 80-2000	2	2
XW39	9922BFT-XW39	1	1
XW41	GB/T 119(u6)	0	2
XW42	9922BFT-XW42	0	2
XW43	9910-51	1	1
XW44	GB/T 70.1-2000	0	2
XW45	9618-XW45	1	1
XW46	9618-XW46	2	2
XW76	9618-XW76B	1	1

11. REVERSE STITCHING MRCHANISM (1/2)



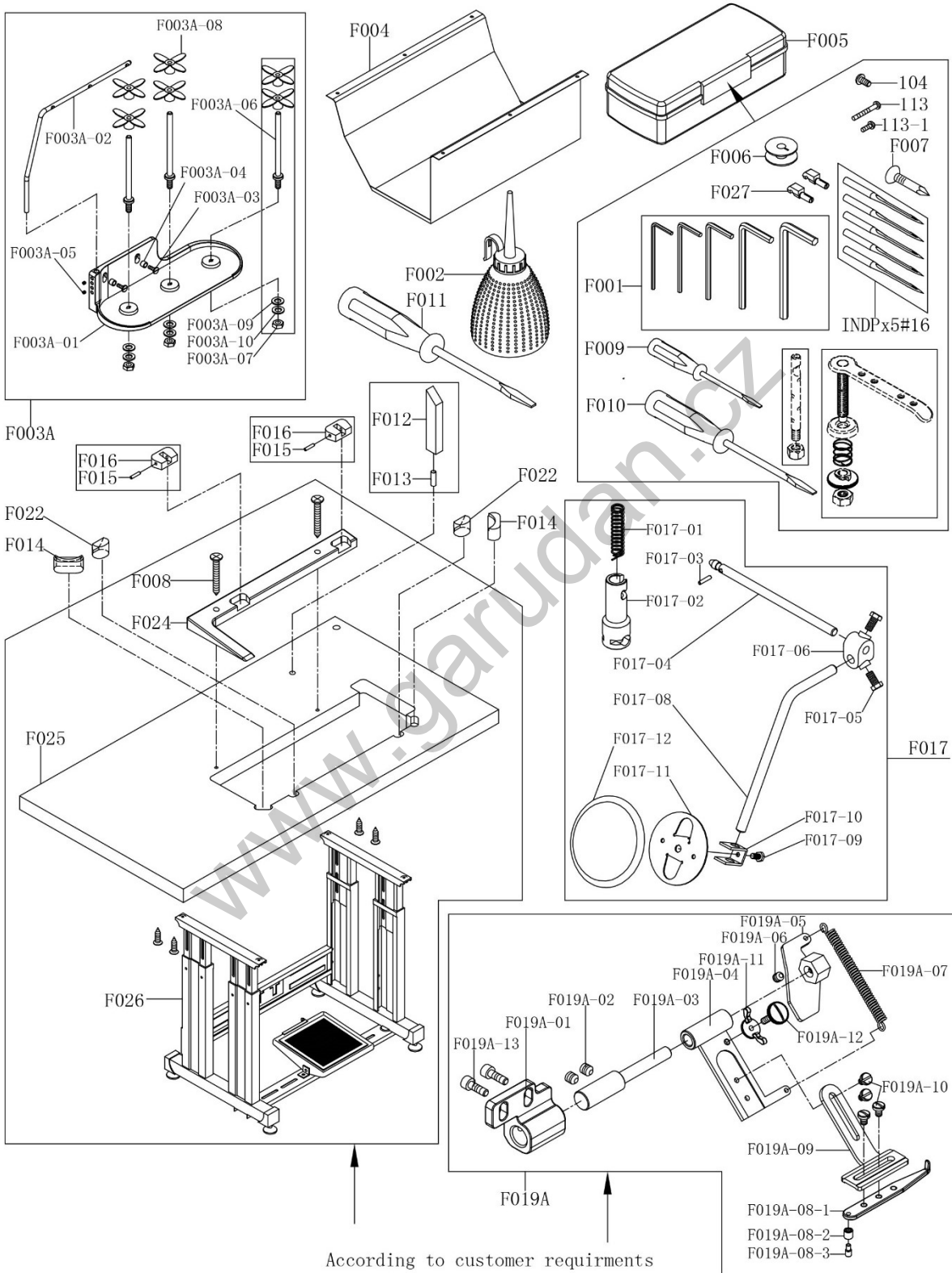
11. REVERSE STITCHING MRCHANISM (1/2)			
NO.	PART NO	GP-110-147	GP-124-147
928S	591-928S	2	2
929	591-929S	1	1
930	GB/T 70.1-2000	2	1
932	9910-42	2	1
940	9910-270	0	1
952	591-952S	1	0
956	9618-956	1	1
956-1	GB/T 80-2000	2	2
956-2	GB/T 6170-2000	2	2
956-3	GB/T 80-2000	1	1
956-4	335-140	1	1
957	9618-957A	1	1
957-1	GB/T70.3-2000	2	2
957-2	GB/T 70.1-2000	2	2
961	9910-250G	1	1
961-1	9910-94	1	1
964	9618-964	1	1
965	9618-965	1	1
966	9618-966	1	1
966-1	GB/T 70.1-2000	1	1
966-2	GB/T 70.1-2000	2	2
969B	591-562	1	1
XW50	GB/T 276-94	2	2
XW51	9618-XW51	1	1
XW52		3	3
XW54	9618-XW54	2	2
XW57	9618-XW57	1	1
XW58	9910-220	2	2

11. REVERSE STITCHING MECHANISM (2/2)



11. REVERSE STITCHING MRCHANISM (2/2)			
NO.	PART NO	GP-110-147	GP-124-147
XW59	9910-221	2	2
XW60	9618-XW60	1	1
XW61	9618-XW61	2	2
XW63	9910-39	2	2
XW64	9618-XW64	1	1
XW65	GB/T 70.1-2000	2	2
XW66	591-914S	1	1
XW67	9618-XW67	1	1
XW68	GB/T 70.1-2000	2	2
XW69	GB/T 70.1-2000	2	2
XW70	9618-XW70	1	1
XW71	591-330	1	1
XW72	9618-XW72	2	2
XW73	9618-XW73	1	1
XW74	9618-XW74	1	1
XW76	9618-XW76B	1	1
XW78	GB/T 70.1-2000	2	2
XW79A	9618-XW79A	1	1
XW79-1	GB/T 119	2	2
XW79-2	GB/T 80-2000	1	1
XW80	GB/T 119	1	1
XW81	9618-XW81	1	1
XW82	GB/T 70.1-2000	2	2
XW83	GB/T 6170-2000	1	1
XW84	9618-XW84	0	1

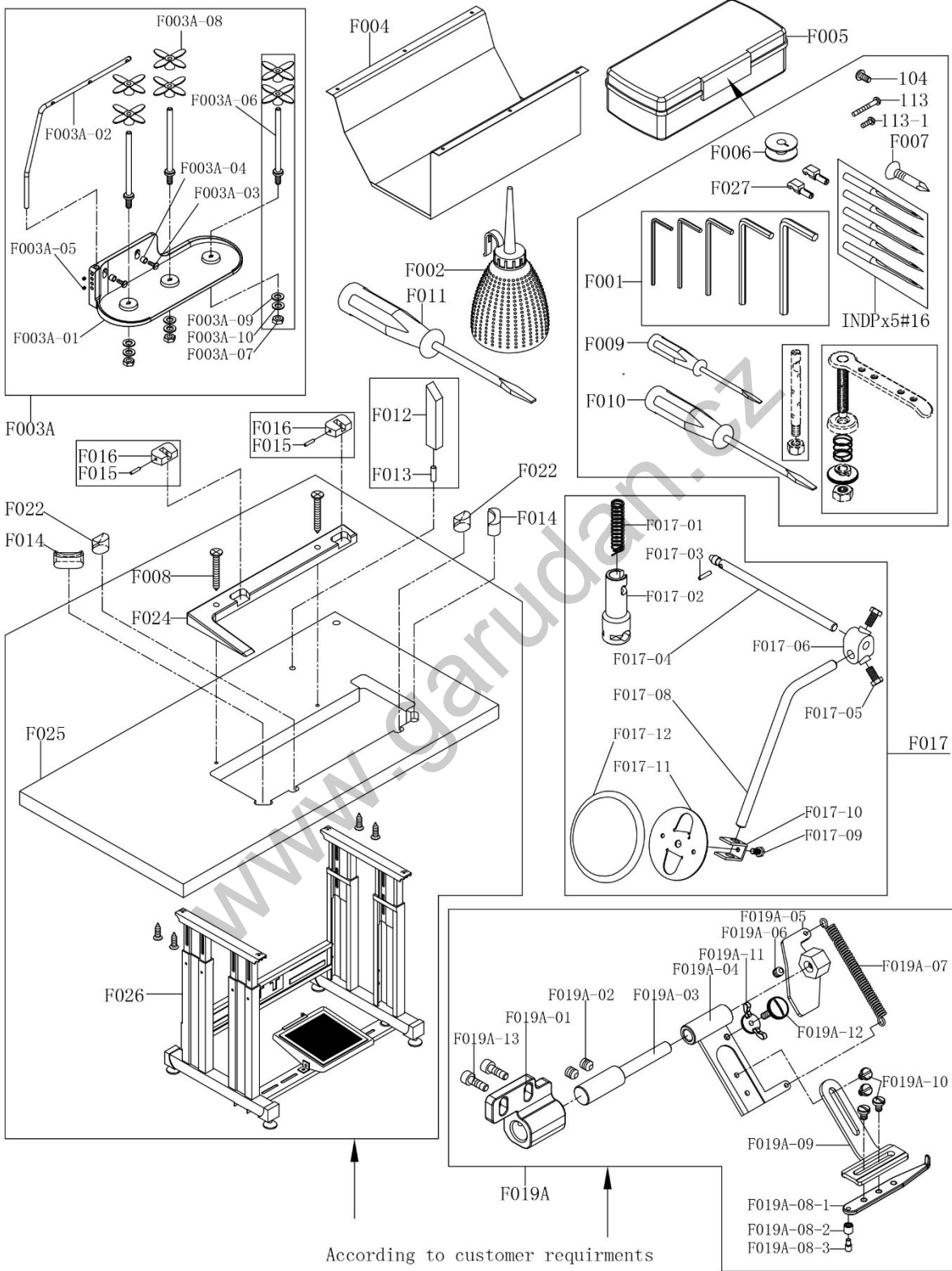
12. ACCESSORIES (1/2)





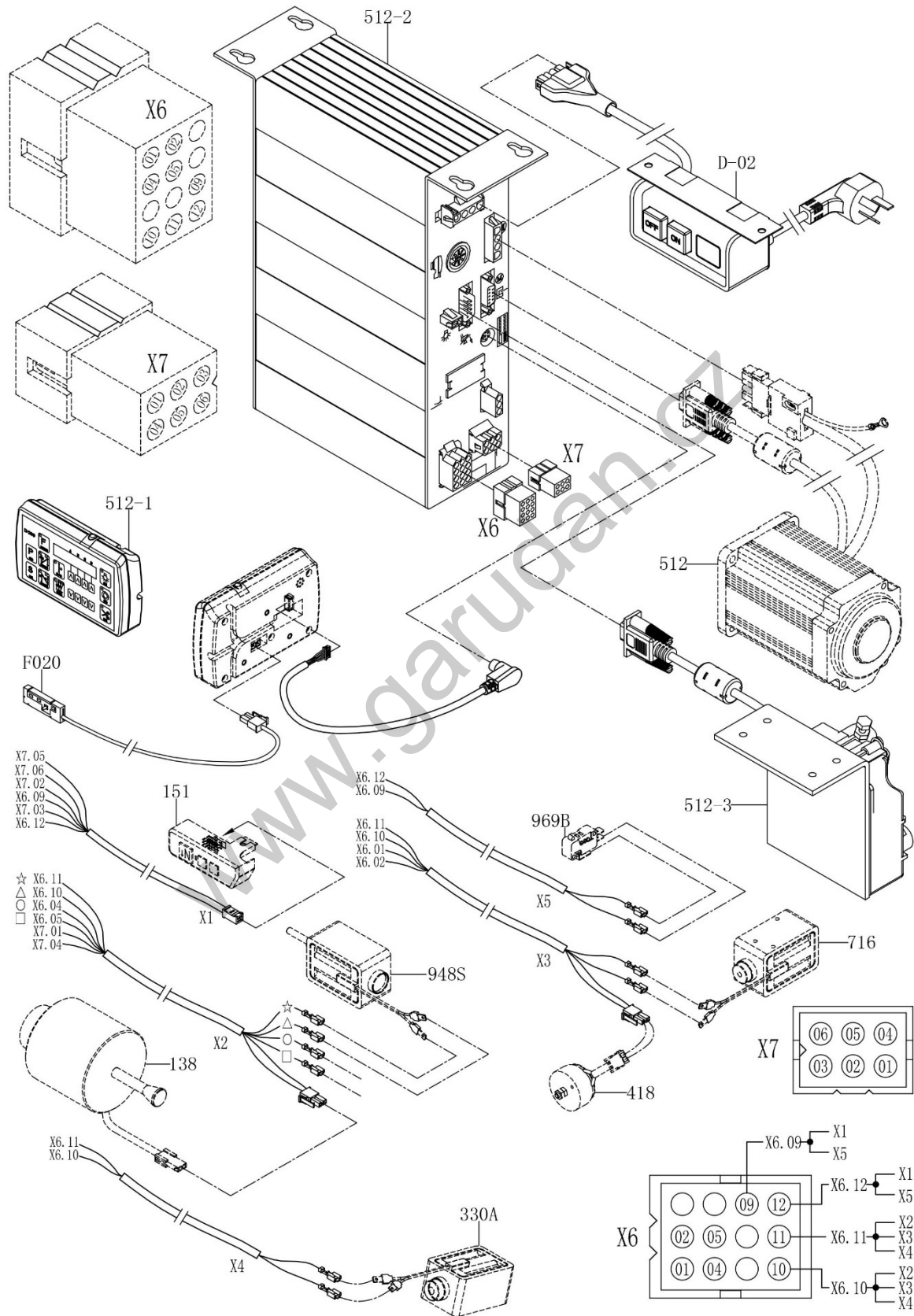
12. ACCESSORIES (1/2)			
NO.	PART NO.	GP-110-147	GP-124-147
104	GB/T2672-86	8	8
110	591-403	1	1
112	9922-01-112	1	1
113	GB/T70-85	6	6
114	9922-01-114	1	1
115	9910-08	1	1
116	GB/T6170-2000	7	7
117	9922-01-117	1	1
346		5	10
109A	591-122A	1	1
113-1	GB/T70-85	2	2
F001	9910-289		1
F002		1	1
F003A	9922BFT-F003A	1	1
F003A-01	9618-F003B-01	1	1
F003A-02	9618-F003B-02	1	1
F003A-03	9922BFT-F003A-3	2	2
F003A-04	9922BFT-F003A-4	2	2
F003A-05	GB/T80-2000	2	2
F003A-06	9618-F003B-06	3	3
F003A-07	GB/T6170-2000	3	3
F003A-08	9618-F003B-08	6	6
F003A-09	GB/97.1-85	3	3
F003A-10	GB/93-87	3	3
F004	9910-292	1	1
F005	9910-291	1	1
F006	9922BFT-F006	2	4
F007	9910-296	10	10
F008	9910-297	4	4
F009	9910-293	1	1
F010	9910-294	1	1
F011	9910-295	1	1
F012	9910-287	1	1

12. ACCESSORIES (2/2)

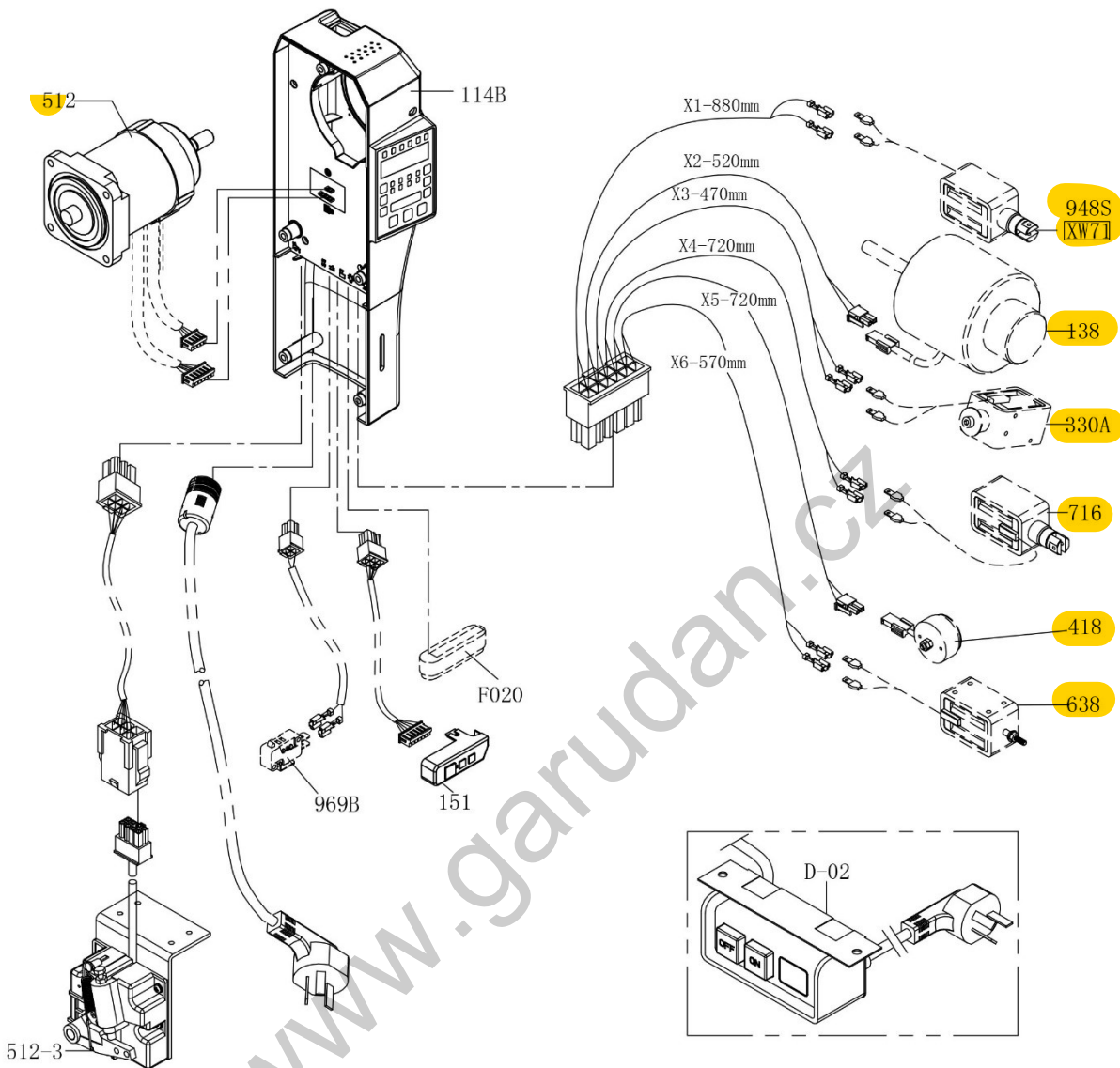


12. ACCESSORIES (2/2)			
NO.	PART NO.	GP-110-147	GP-124-147
F013	9910-288	1	1
F014	591-F014	2	2
F015	591-F015	2	2
F016	591-F016	2	2
F017	9910-302	1	1
F017-01	9910-302-12	1	1
F017-02	9910-302-11	1	1
F017-03	9910-302-10	1	1
F017-04	9910-302-9	1	1
F017-05	9910-302-6	2	2
F017-06	9910-302-8	1	1
F017-08	9910-302-5	1	1
F017-09	9910-302-4	1	1
F017-10	9910-302-3	1	1
F017-11	9910-302-2	1	1
F019	591-F019	1	1
F022	591-F022	2	2
F024	591-F024	1	1
F025	591-F025	1	1
F026	591.F026	1	1
F027	9910-18B	2	2
F028	591-F028	4	4
F029	GB/T80-2000	1	1
F030	9922BFT-F030	1	1
F031	9922BFT-F031	1	1
F032	9922BFT-F032	1	1
F033	9922BFT-F033	1	1
F034	GB/T70-85	1	1
F035	9922BFT-F035	1	1
F036	GB/T80-2000	1	1

13. ELECTRICITY ELEMENTS FIG



14. ELECTRICITY ELEMENTS FIG



1--7/X1	948S/XW71
2--8/X2	138
3--9/X3	330A
4--10/X4	716
5--11/X5	418
6--12/X6	638

